



MADE IN SPAIN

GP - 2MTB

ANTENAS

RADIOTELEFONO TODAS LAS BANDAS

RADIOTELEPHONE ALL BANDS

RADIOTELEPHONES TOUTES BANDES

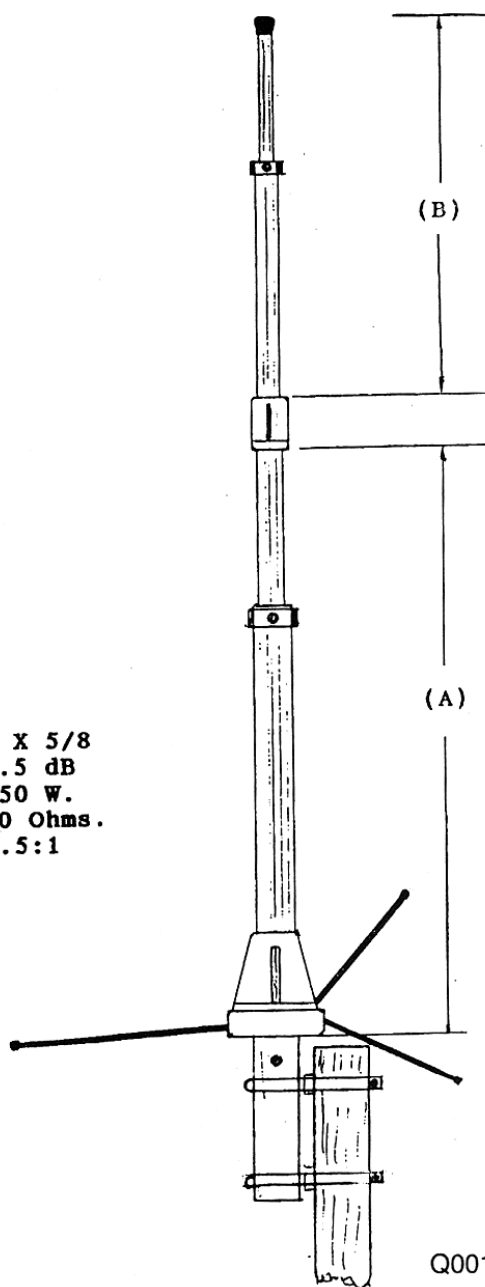
ANTENNA VHF COLINEAR

ANTENA VHF COLINEAL

GP - 2MTB

ESPECIFICACIONES / SPECIFICATIONS

TIPO / TYPE	2 X 5/8
GANANCIA / GAIN	5.5 dB
POTENCIA / POWER	150 W.
IMPEDANCIA / IMPEDANCE	50 Ohms.
R.O.E. / S.W.R.	1.5:1

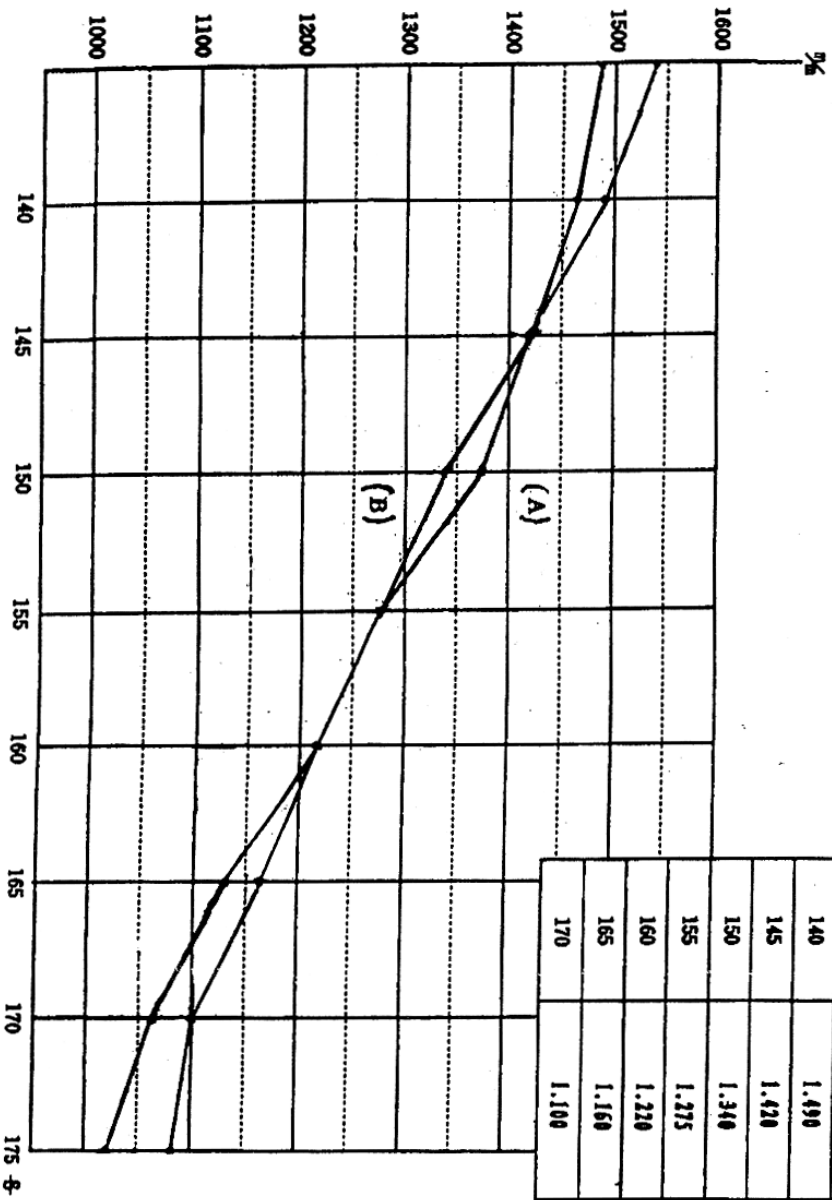


Pol. Ind. C/. Riera de Targa, 63
Tel. 93 750 76 82 Fax 93 750 70 42
Tel. int.: 34-93-750 76 82 Fax int.: 34-93-750 70 42
08339 Vilassar de Dalt (BARCELONA) SPAIN

Q001579Z

GP - 2MTB

CUTTING CHART



fo (MHz)	LENGTH OF LOWER ELEMENT A (m/m)	LENGTH OF UPPER ELEMENT B (m/m)
135	1.540	1.490
140	1.490	1.465
145	1.420	1.420
150	1.340	1.370
155	1.275	1.275
160	1.220	1.220
165	1.160	1.130
170	1.100	1.060